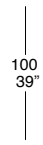
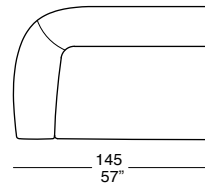
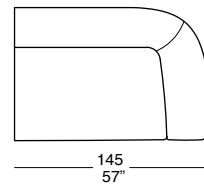


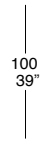
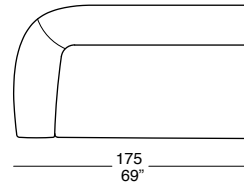
AIR 12



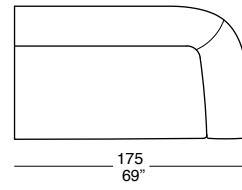
AIR 16



AIR 13

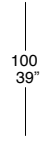
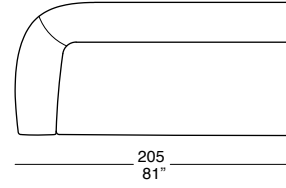


AIR 17

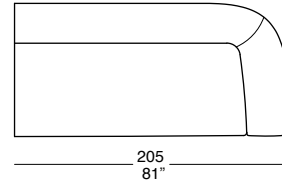


3 ►

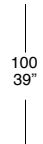
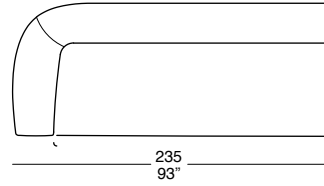
AIR 14



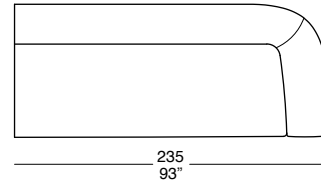
AIR 18



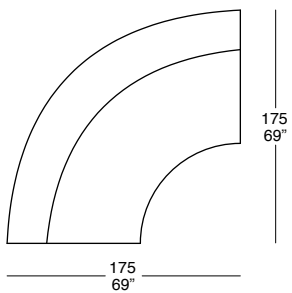
AIR 15



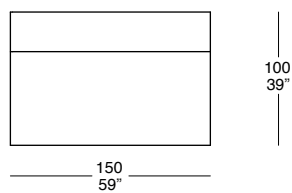
AIR 19



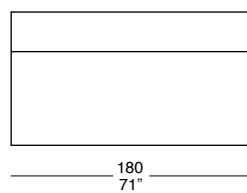
AIR 20



AIR 21

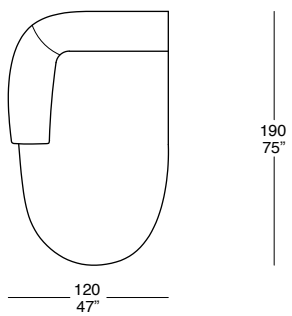


AIR 22

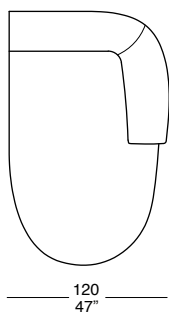


5 ►

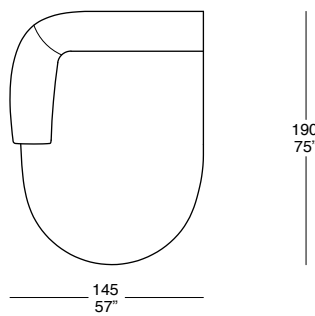
AIR 23



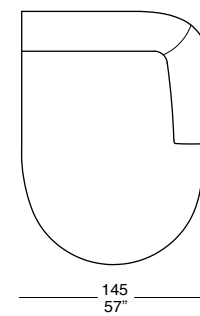
AIR 24



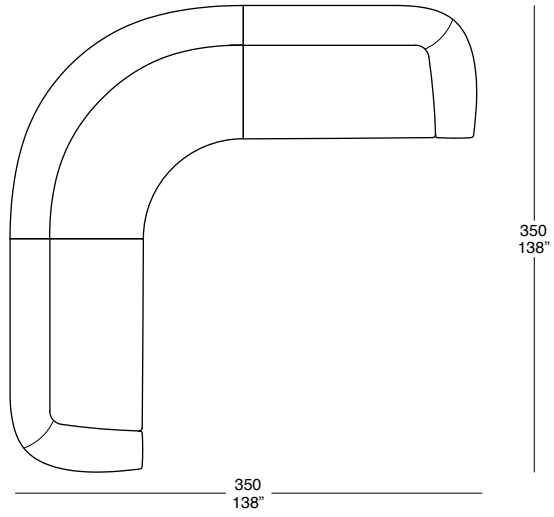
AIR 25



AIR 26

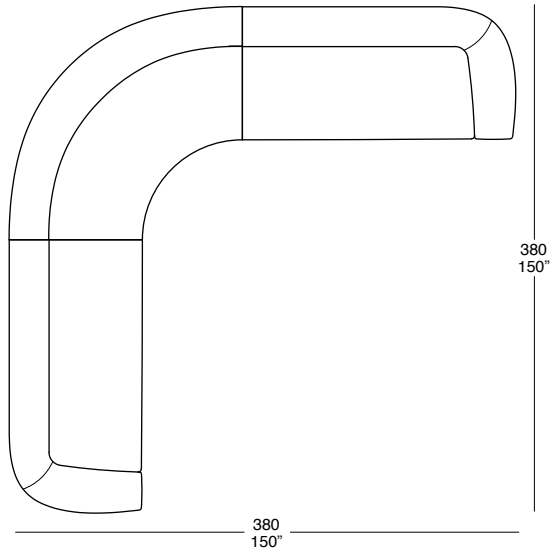


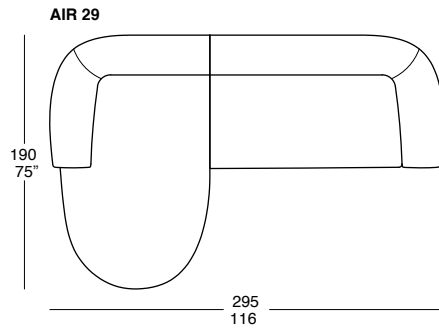
AIR 27



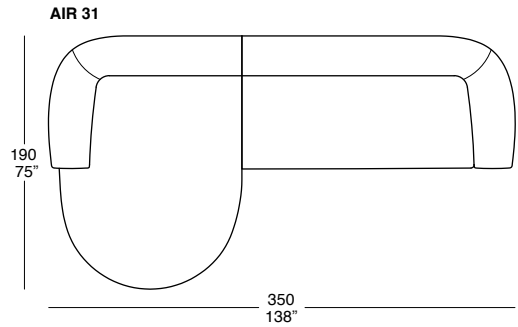
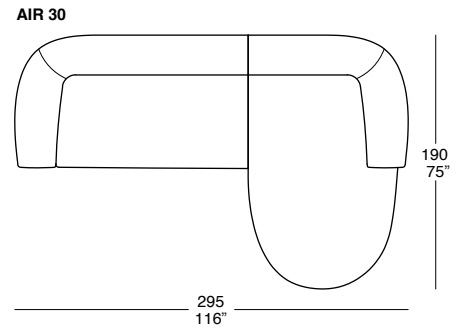
7 ▶

AIR 28

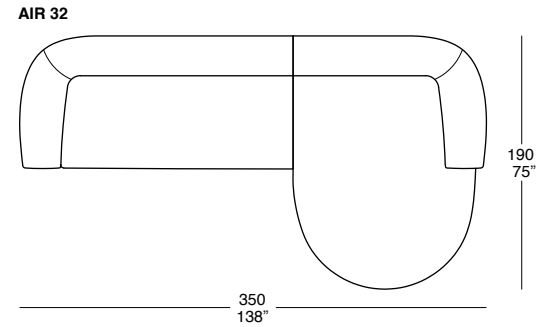




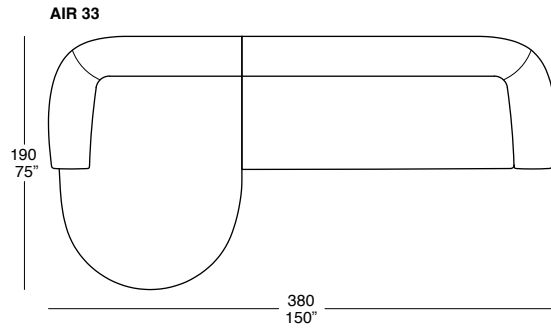
100
39"



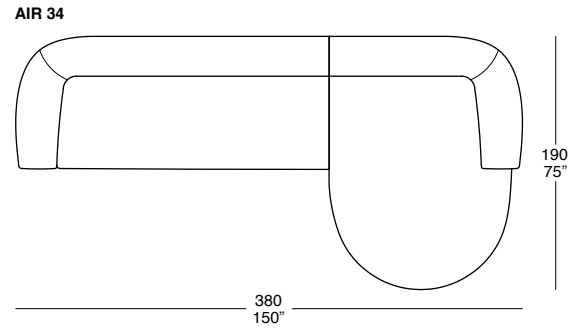
100
39"



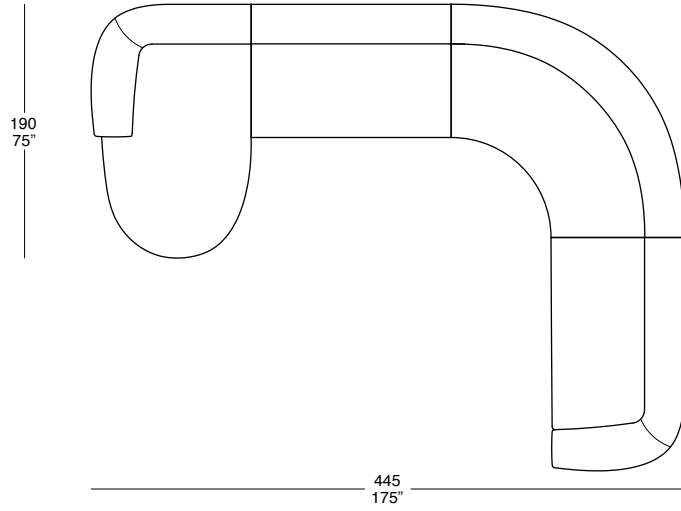
9 ▶



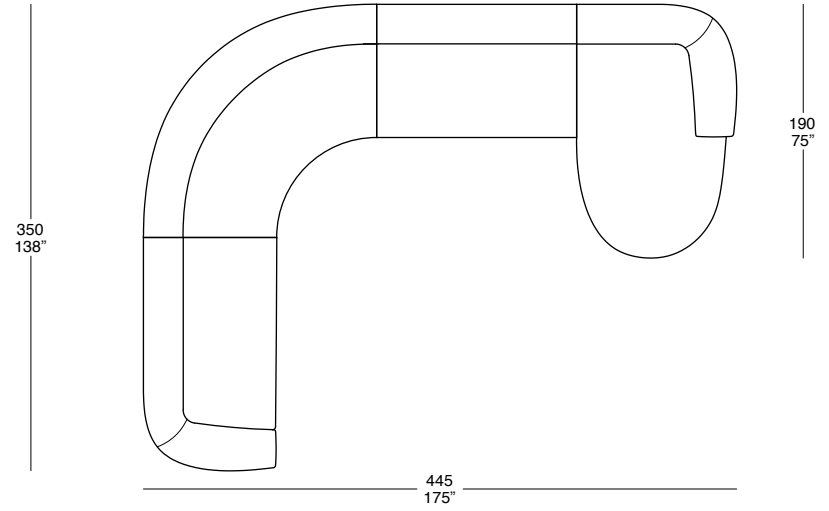
100
39"



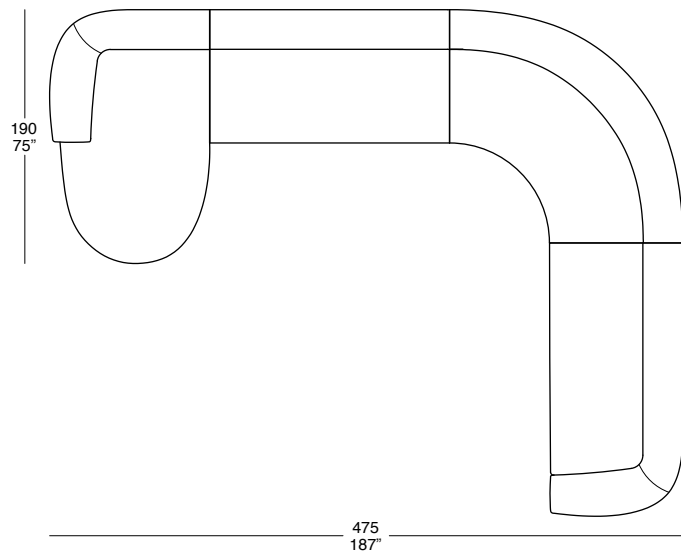
AIR 35



AIR 36



AIR 37



AIR 38

